



radiolink plus



Capable of both weighing and dynamic load monitoring, the latest Radiolink plus is constructed of high-quality aircraft grade aluminum and features an advanced internal design structure. This internal design structure not only provides the product with an unrivaled strength to weight ratio but it also allows the use of a separate internal sealed enclosure providing the load cell's electronic components with IP67 environmental protection even with the battery cover plate missing, making this industry leading dynamometer even more suitable for use in the harshest environments.

Featuring industry leading wireless technology and range, the versatile Radiolink plus is supplied with an update rate of 3 Hz and can be easily configured to run at industry leading speeds of up to 200 Hz. Data is transmitted wirelessly utilizing the latest in IEEE 802.15.4 (2.4 GHz) technology providing safe, high integrity, error free transmission of both static weight and dynamic load to a wireless handheld controller.

Designed for measurement of both static and dynamic loads the Radiolink plus can also be used in combination with our range of high speed wireless data logging software allowing for simultaneous control, display and real time data logging of up to 100 Straightpoint telemetry load cells. A.csv file format is used for data logging and opens in MS Excel, allowing easy visual presentation of the logged data and simple test certificate generation.

The Radiolink plus utilizes easily sourced AA alkaline batteries and features advanced circuitry designed to protect the unit from damage associated with incorrectly installed batteries. This advanced circuitry extends battery life and the use of easily sourced alkaline batteries eliminates issues associated with rechargeable battery pack charging, failure and replacement.

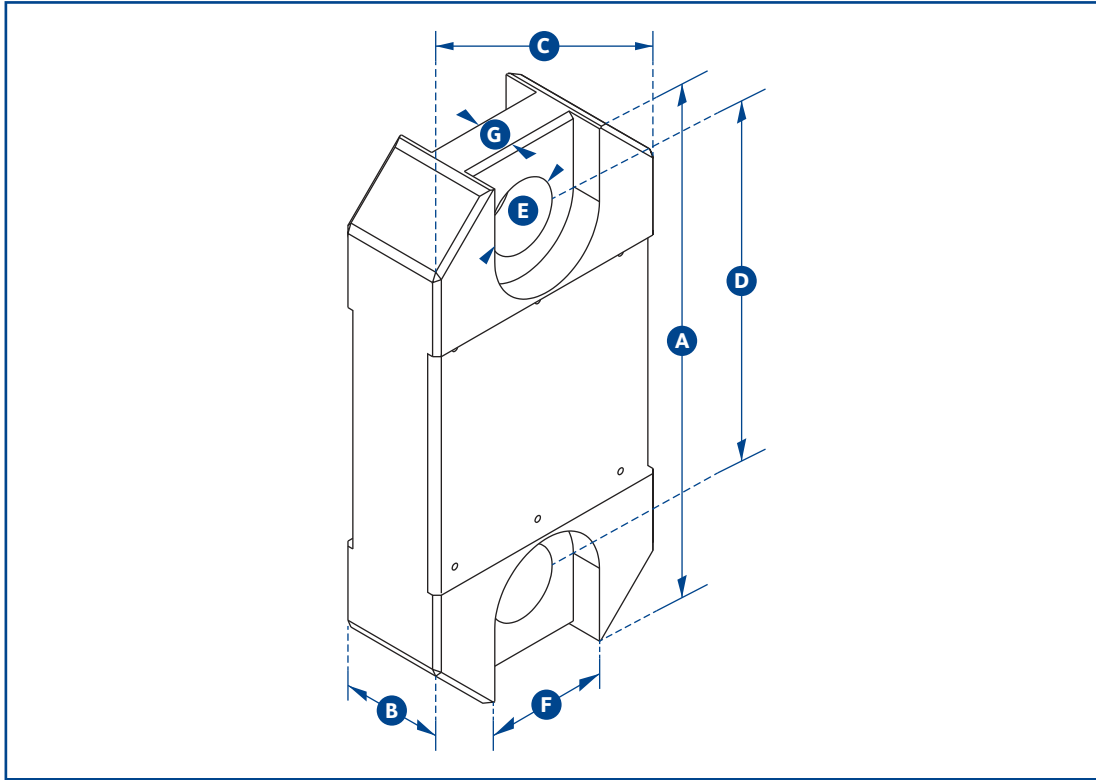
A full array of wireless accessories are also available including signal boosters, LED wireless scoreboards and base stations with analogue (4-20mA, 0-10v, 0-5v) or digital (RS232/485, Modbus RTU, and ASCII serial communications protocol) outputs.

It is easy to see why, globally, the Radiolink plus is the number one choice for weighing and dynamic load monitoring in critical lift planning and execution.

Features and benefits:

- Proprietary 2.4 GHz wireless
- Industry leading 2,300 foot wireless range
- Error free data transmission
- Unrivaled resolution
- Environmentally sealed
- Audible overload alarm
- Unmatched battery life
- Internal antennae
- Compact size
- Remote on-off
- Lightweight
- Peak hold
- Advanced options available
- Tare
- Design validated by F.E.A.

imperial specifications



radiolink plus

Part Number	RLP1TU	RLP2T5U	RLP5TU	RLP12TU	RLP25TU	RLP35TU	RLP50TU	RLP75TU	RLP100TU	RLP150TU	RLP200TU	RLP250TU	RLP300TU
Capacity	2200lb	5500lb	11000lb	26000lb	55000lb	77000lb	110000lb	165000lb	220000lb	330000lb	440000lb	550000lb	660000lb
Resolution	1lb	2lb	2lb	5lb	10lb	10lb	20lb	20lb	100lb	100lb	200lb	200lb	200lb
Units	lb	lb	lb	lb	lb	lb	lb	lb	lb	lb	lb	lb	lb
Weight	3.1lb	3.1lb	4.4lb	7.1lb	11lb	19lb	25.3lb	35.3lb	75lb	101.4lb	158.7lb	158.7lb	260lb
Safety Factor	12:1	5:1	5:1	5:1	5:1	5:1	5:1	5:1	5:1	4:1	5:1	4:1	5:1
Battery Type	Handheld-2 x AA / Load Cell 4 x AA												
Battery Life	Handheld 60hrs / Load cell 1200hrs continuous												
Display Type	6 digit 1" LCD												
Operating Temp	-10°C to +50°C / 14°F to 122°F												
Accuracy	± 0.3 % of applied load												
Frequency	2.4GHz												
System Range	700 meters / 2300 feet												
Data Rate	3Hz - up to 200Hz can be ordered for dynamic load monitoring applications												
Protection	IP67 / NEMA 6												
Dimension A	8.03	8.03	9.80	12.01	13.39	15.47	16.69	18.5	23.94	26.38	27.56	27.56	31.73
Dimension B	1.69	1.69	1.69	1.85	2.36	2.95	2.95	2.95	3.90	3.90	5.67	5.67	5.91
Dimension C	3.98	3.98	3.98	3.98	4.53	4.96	6.42	7.95	10.04	11.93	12.60	12.60	16.77
Dimension D	5.75	5.75	6.50	7.60	8.46	8.86	9.06	10.24	12.60	14.17	13.78	13.78	13.78
Dimension E	0.96	0.96	1.50	1.87	2.17	2.99	2.99	2.99	4.29	4.29	5.20	5.20	6.30
Dimension F	1.89	1.89	2.60	Not available on this capacity									
Dimension G	0.75	0.75	1.26	Not available on this capacity									
Crosby Shackle	G2130						G2140						
Loading Pin Ø	3/4"	3/4"	1"	1 3/8"	2"	2 1/4"	2 1/4"	2 3/4"	3 1/4"	3 3/4"	4 3/4"	5"	6"

