



loadshackle



Available from stock in capacities 3.25t to 120t, and available up to 1,550t, the Loadshackle is manufactured from Crosby's industry leading 2130 Carbon and 2140 Alloy Bolt Type Anchor Shackles (3.25te - 120te) and the GN H10 Alloy Bolt Type Anchor Shackle (200te on up). The Loadshackle offers reduced overall weight and headroom providing a great fit for low headroom applications.

Utilizing the same advanced microprocessor based electronics as all Straightpoint products, our cabled Loadshackle benefits from high sampling rates, extreme resistance to industrial level noise and unprecedented stability. Our huge range of tooling allows us to calibrate in shackle for extra accuracy unlike many other load cell manufacturers. Straightpoint cabled loadshackles are also environmentally sealed to IP67 and, as an option, sealed for permanent submersion for sub-sea use.

The cabled loadshackle range can be used with digital displays including the Straightpoint Handheld plus, PLCs, data acquisition systems (DAQ), etc. and configured with a vast array of output formats to include mV/V, RS-422, RS-485, utilizing the ASCII, MODBUS TRU and CAN-BUS protocols or supplied with integral amplifier allowing analogue outputs such as 4-20mA, 0-10v, 0-5v etc.

Whether used in heavy lifting, mooring anchor placement or sub-sea applications, Straightpoint's cabled loadshackle offers robust construction, advanced electronics, industry leading resolution and accuracy all at a cost-effective, affordable price.

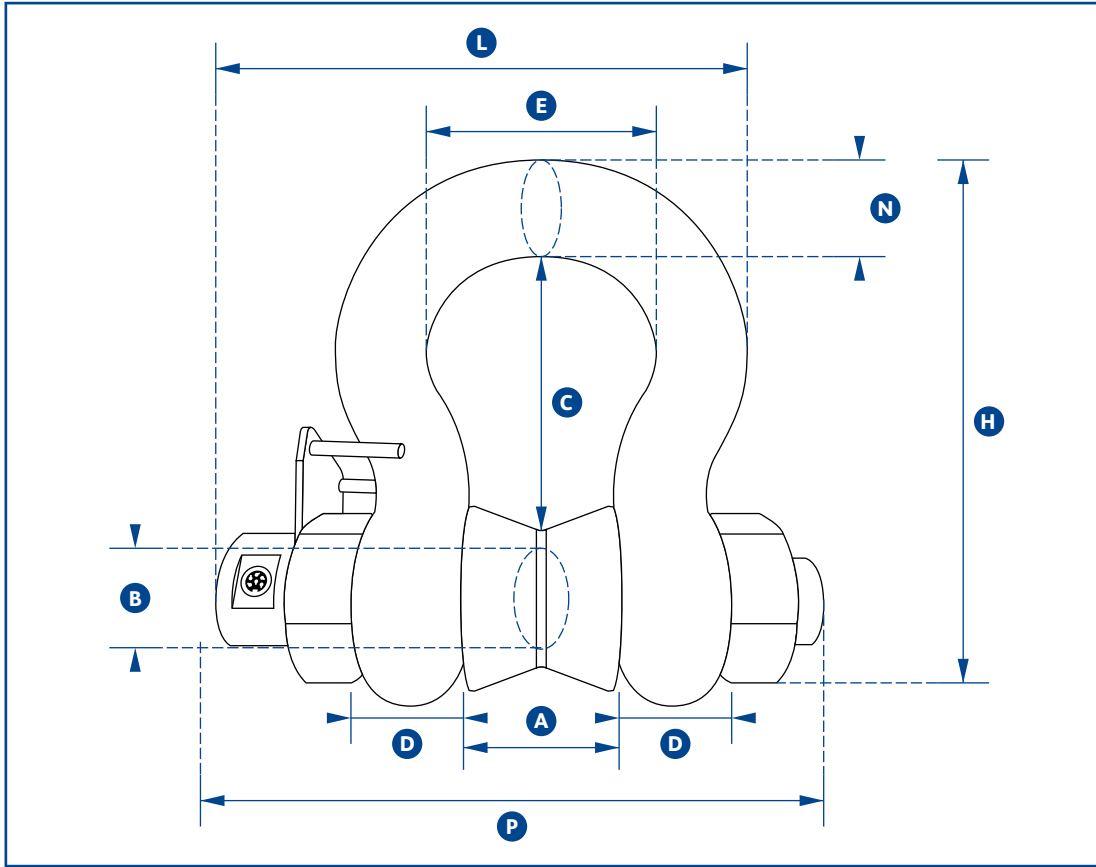


Requires connection to our Handheld plus (HHP), our Desktop Controller data logging software (DCP10M) or our External Amplifier range (SA-3420) that can be configured to provide outputs such as 4-20mA, 0-10v, 0-5v for PLC or data logger integration.

Features and benefits:

- Robust construction
- Compact size and low headroom
- High accuracy
- Every unit proof tested
- Lightweight
- Audible overload alarm
- Unrivalled resolution
- Tare
- Environmentally sealed
- Peak hold
- Advanced options available
- Design validated by F.E.A.

imperial specifications



loadshackle

Part Number	SLB3.25TU	SLB6.5TU	SLB12TU	SLB25TU	SLB55TU	SLB85TU	SLB120TU	SLB200TU	SLB300TU	SLB400TU
Capacity	7150lb	14300lb	26400lb	55000lb	120000lb	185000lb	260000lb	440000lb	660000lb	880000lb
Resolution	10lb	10lb	20lb	50lb	100lb	100lb	200lb	200lb	1000lb	1000lb
Weight	6.16lb	7lb	17.6lb	40lb	55lb	99lb	187lb	560lb	825lb	1354lb
Safety Factor	5:1 when used with load bobbin									
Operating Temp	-10°C to +50°C / 14° to 122°F									
Accuracy	±1%									
Protection	IP67 / NEMA 6 std or subsea as POA option									
Dimension A	1.06	1.44	2.03	2.87	3.25	4.13	5.00	7.09	8.07	9.06
Dimension B	0.75	1.00	1.38	2.01	2.24	2.76	3.25	4.92	5.91	6.89
Dimension C	2.38	3.31	4.69	7.01	7.76	10.51	12.99	13.15	15.67	17.32
Dimension D	0.63	0.88	1.25	1.75	2.01	2.62	2.99	4.72	5.12	6.50
Dimension E	1.69	2.28	3.25	5.00	6.46	7.24	7.87	11.42	12.01	12.80
Dimension H	4.17	5.83	8.27	12.32	13.70	17.83	21.50	31.89	37.40	43.31
Dimension L	4.57	5.59	7.09	10.43	11.42	13.86	15.43	22.83	24.21	27.76
Dimension N	0.69	0.97	1.38	2.24	2.40	3.11	3.62	4.72	5.12	6.50
Dimension P	4.06	5.24	7.01	9.57	10.91	14.06	17.01	22.44	24.41	28.15

